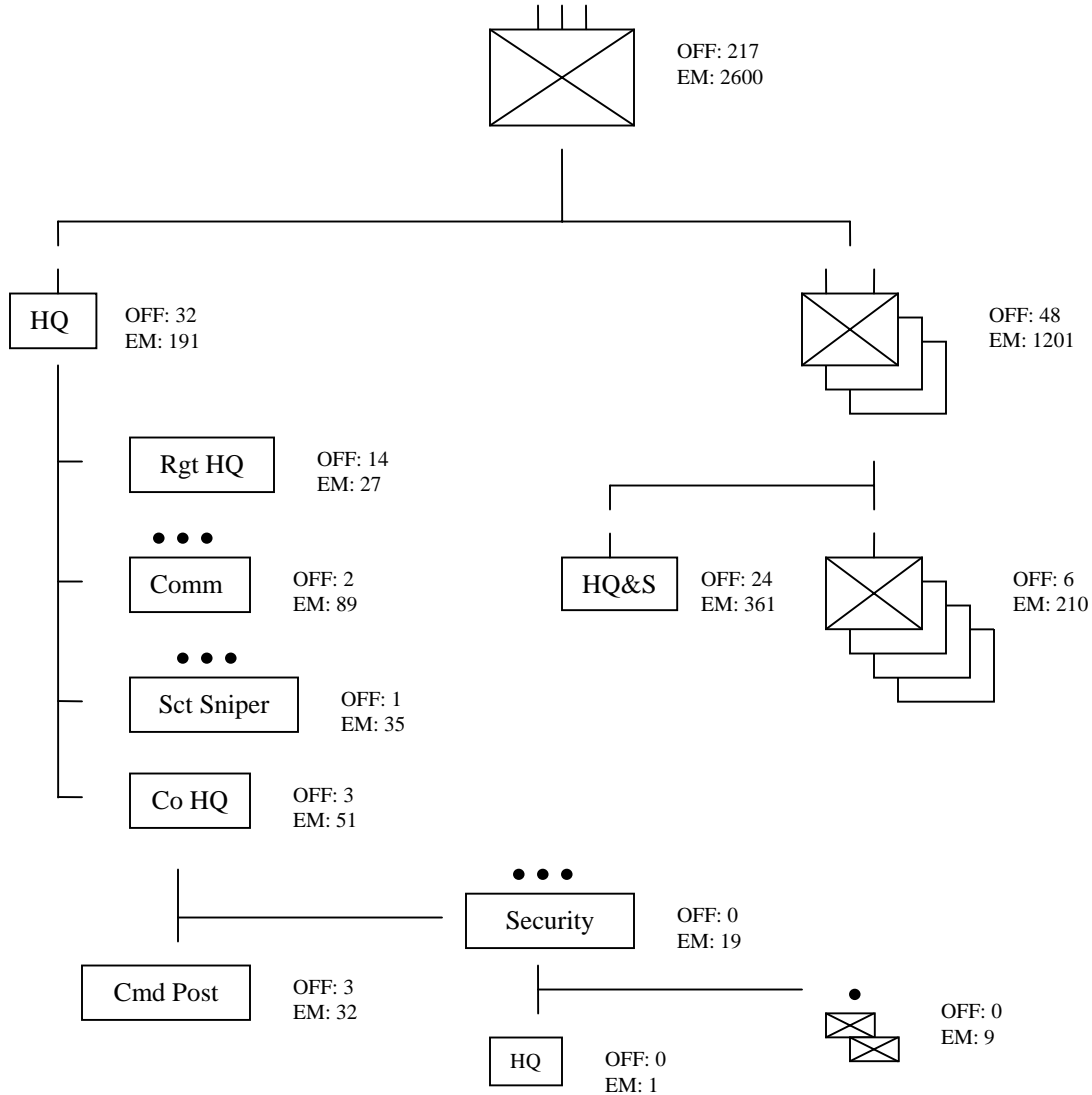


**USMC Infantry Regiment, T/O M-1099, Revision 2 (6 June April 1967)**

Source: Shulimson, Jack, Lieutenant Colonel Leonard A. Blasiol, Charles R. Smith and Captain David A. Dawson. U.S. Marines in Vietnam: The Defining Year, 1968. Washington, DC: History and Museums Division Headquarters, U.S. Marine Corps, 1997.



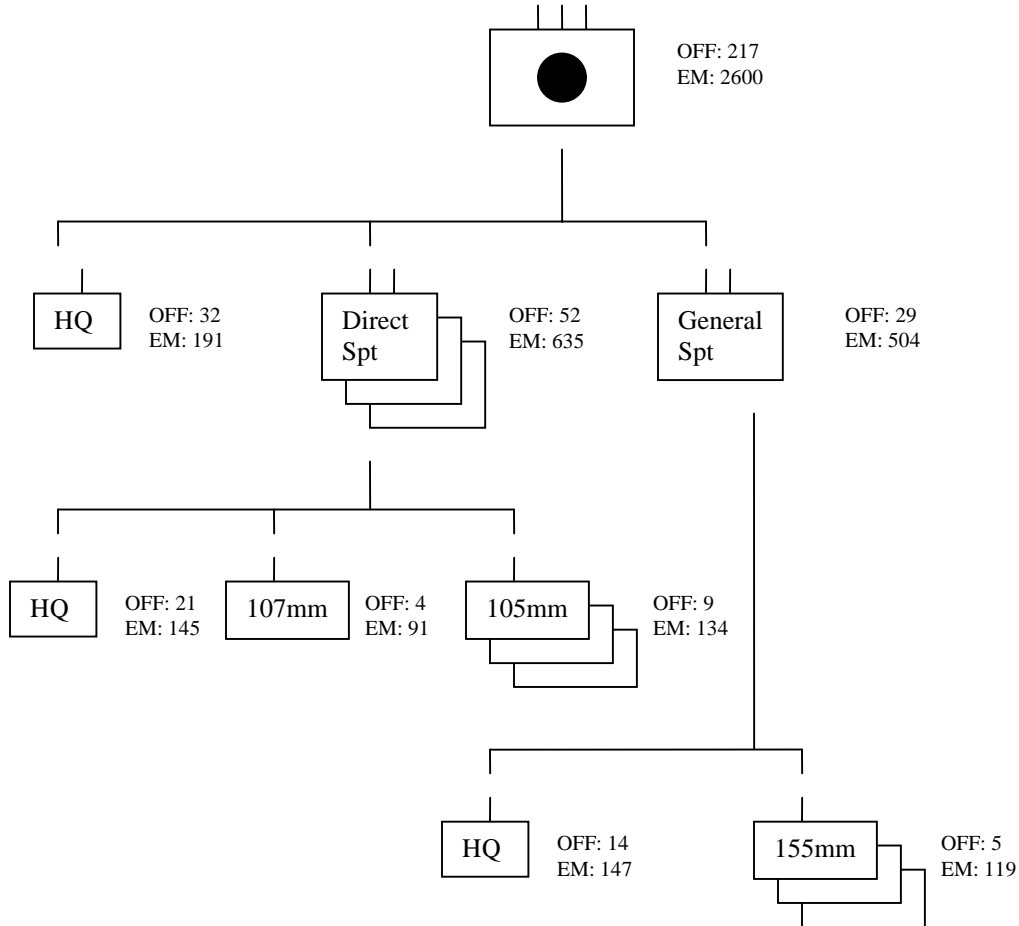
#	Weapons	#	Equipment
#	Vehicles	#	Aircraft
Regimental HQ			
Communications Platoon			
Scout Sniper Platoon			

<b>Command Post</b>	
<b>Command Post Security Platoon HQ</b>	
Platoon Commander, Staff Sergeant	
<b>Command Post Security Squad (x2)</b>	
<b>HQ and Service Company (x3)</b>	
<b>Infantry Company (x12)</b>	

**NOTES:** For purposes of simplicity, USMC and USN personnel in the TO&E are not separated. Each squad in the security platoon was further divided into a squad leader and two four-man fire teams. This is omitted from the chart for simplicity.

**USMC Artillery Regiment, T/O M-1199, Revision 2 (17 April 1964)**

Source: Shulimson, Jack, Lieutenant Colonel Leonard A. Blasiol, Charles R. Smith and Captain David A. Dawson. U.S. Marines in Vietnam: The Defining Year, 1968. Washington, DC: History and Museums Division Headquarters, U.S. Marine Corps, 1997.



#	Weapons	#	Equipment
54	105mm M101A1 Howitzer		
18	107mm M98 Howtar		

#	Vehicles	#	Aircraft
54	105mm M109 SP Howitzer		

<b>Regimental HQ Battery</b>	
------------------------------	--

<b>Direct Support Battalion HQ Battery (x3)</b>	
---	--

<b>107mm Battery (x3)</b>	6 107mm M98 Howtar
---------------------------	--------------------

<b>105mm Battery (x9)</b>	6 105mm M101A1 Howitzer
---------------------------	-------------------------

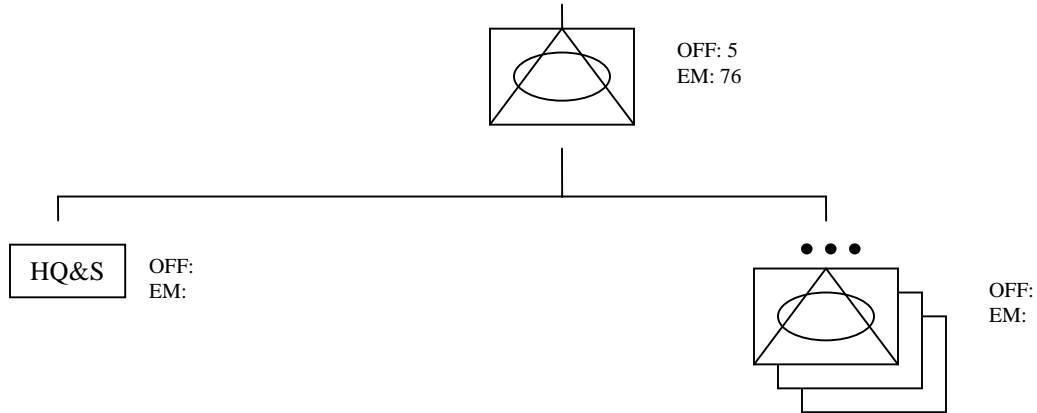
<b>General Support Battalion HQ Battery</b>	
---	--

<b>155mm Battery (x3)</b>	6 155mm M109 SP Howitzer
---------------------------	--------------------------

**NOTES:** For purposes of simplicity, USMC and USN personnel in the TO&E are not separated.

**USMC Antitank Company, T/O M-1248, Revision 2 (1 June 1967)**

Source: Shulimson, Jack, Lieutenant Colonel Leonard A. Blasiol, Charles R. Smith and Captain David A. Dawson. U.S. Marines in Vietnam: The Defining Year, 1968. Washington, DC: History and Museums Division Headquarters, U.S. Marine Corps, 1997.



#	Weapons	#	Equipment

#	Vehicles	#	Aircraft
15	M50A1 Ontos		

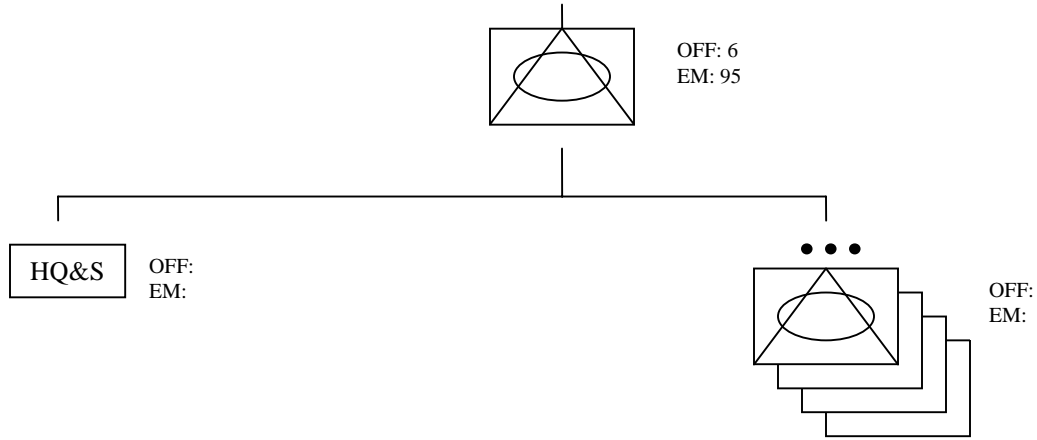
<b>Headquarters and Service Company</b>	
---	--

<b>Antitank Platoon (x3)</b>	5 M50A1 Ontos
------------------------------	---------------

**NOTES:** For purposes of simplicity, USMC and USN personnel in the TO&E are not separated.

**USMC Antitank Company, Reinforced (December 1968)**

Source: Shulimson, Jack, Lieutenant Colonel Leonard A. Blasiol, Charles R. Smith and Captain David A. Dawson. U.S. Marines in Vietnam: The Defining Year, 1968. Washington, DC: History and Museums Division Headquarters, U.S. Marine Corps, 1997.



#	Weapons	#	Equipment

#	Vehicles	#	Aircraft
20	M50A1 Ontos		

<b>Headquarters and Service Company</b>	
---	--

<b>Antitank Platoon (x4)</b>	5 M50A1 Ontos
------------------------------	---------------

**NOTES:** For purposes of simplicity, USMC and USN personnel in the TO&E are not separated. Two such formations were task organized from personnel and equipment from the 1<sup>st</sup> and 3<sup>rd</sup> Antitank Battalions and attached, and attached one each to the 1<sup>st</sup> and 3<sup>rd</sup> Tank Battalions (See subsequent entry) deployed to Vietnam. Personnel figures are approximate, actual EM personnel were between 90-95.

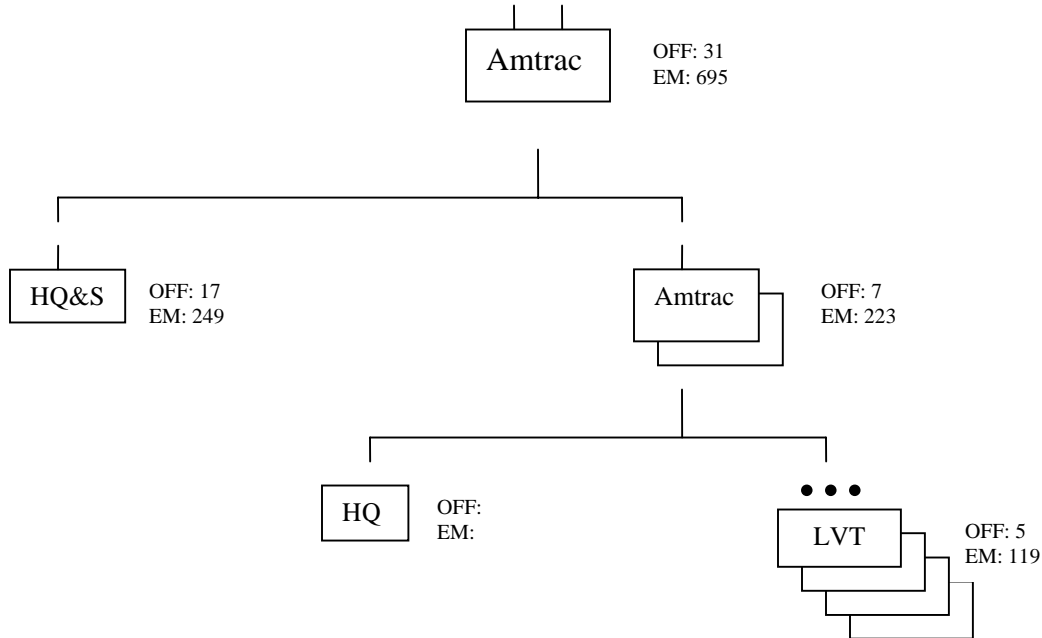


<b>Medium Tank Company HQ (x3)</b>	M48A3 Tank; M48A3 Tank w/ M8 Bulldozer Kit; M51 Recovery Vehicle
<b>Medium Tank Platoon (x9)</b>	5 M48A3 Tank
<b>Heavy Tank Company HQ</b>	2 M103A2 Heavy Tank; M51 Recovery Vehicle
<b>Heavy Tank Platoon (x3)</b>	5 M103A2 Heavy Tank

**NOTES:** For purposes of simplicity, USMC and USN personnel in the TO&E are not separated. Also, when deployed to Vietnam the 1<sup>st</sup> and 3<sup>rd</sup> Tank Battalions did so without the integral Heavy Tank Company. Instead this was replaced with a Antitank Company, Reinforced (See previous entry).

**USMC Amphibian Tractor Battalion, T/O M-4658, Revision 1 (6 March 1967)**

Source: Shulimson, Jack, Lieutenant Colonel Leonard A. Blasiol, Charles R. Smith and Captain David A. Dawson. U.S. Marines in Vietnam: The Defining Year, 1968. Washington, DC: History and Museums Division Headquarters, U.S. Marine Corps, 1997.



#	Weapons	#	Equipment
---	---------	---	-----------

#	Vehicles	#	Aircraft
100	LVTP5A1		
9	LVTP5A1 CMD		
8	LVTE1		
3	LVTR1A1		

<b>Headquarters and Service Company</b>	12 LVTP5A1, 3 LVTP5A1 CMD, 8 LVTE1, LVTR1A1
---	---

<b>Amtrac Company HQ (x2)</b>	4 LVTP5A1, 3 LVTP5A1 CMD, LVTR1A1
-------------------------------	-----------------------------------

<b>Amtrac Platoon (x8)</b>	10 LVTP5A1
----------------------------	------------

**NOTES:** For purposes of simplicity, USMC and USN personnel in the TO&E are not separated.