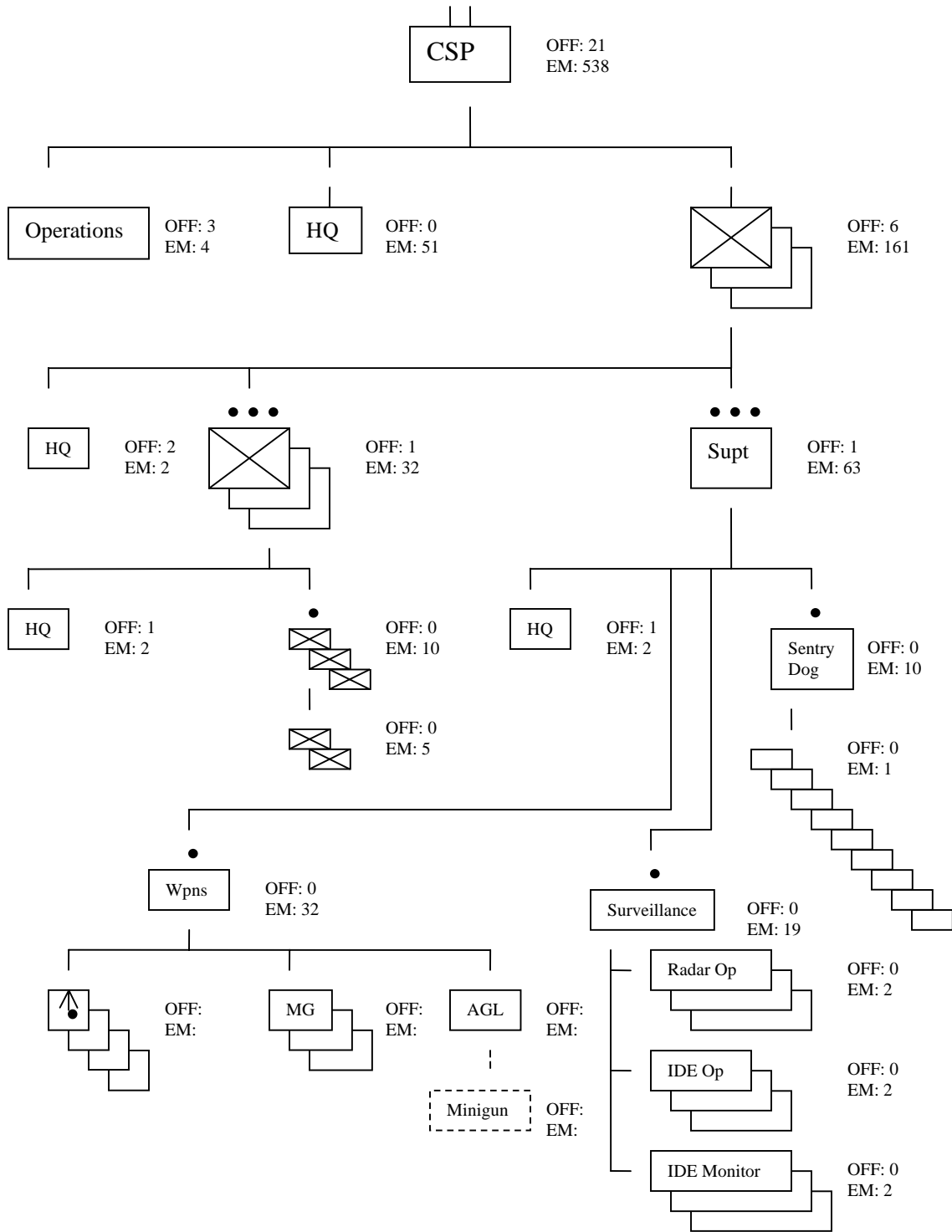


USAF Combat Security Police Squadron (March 1968)

Source: United States Government, Headquarters United States Air Force. Operation Safe Side, Final Report. Washington, DC: Headquarters United States Air Force, 1967; Fox, Roger P. Air Base Defense in the Republic of Vietnam 1961-1973. Washington, DC: Office of Air Force History, 1979.



#	Weapons	#	Equipment
4	81mm M29 Mortar		
3	M2HB MG		

1	XM174 AGL <i>or</i> GAU-2B/A Minigun		
---	--	--	--

Squadron Operations			
Lieutenant Colonel			
Major			
Captain			
Chief Master Sergeant			
Airman First/Second Class (x3)			

Squadron HQ Flight (Admin)			
Technical Sergeant (x6)			
Staff Sergeant (x12)			
Airman First/Second Class (x33)			

Flight HQ (x3)			
Leader, Major			
Deputy, Captain			
NCO, Senior Master Sergeant			
Communications/Driver, Airman First/Second Class			

Field Section HQ (x9)			
Leader, Lieutenant			
NCO, Master Sergeant			
Communications/Driver, Airman First/Second Class			

Element (x27)			
Leader, Technical Sergeant			
Deputy, Staff Sergeant			
Rifleman, Airman First/Second Class (x6)			
LMG Operator, Airman First/Second Class (x2)			

Support Section HQ (x3)			
Leader, Lieutenant			
NCO, Master Sergeant			
Communications/Driver, Airman First/Second Class			

81mm Mortar Team (x12)			
Staff Sergeant			
Airman First/Second Class (x4)			

MG Team (x9)	
Airman First/Second Class (x3)	
AGL/Minigun Team (x3)	
Surveillance Element HQ (x3)	
Leader, Technical Sergeant	
Radar Operator Team (x9)	
Radar Operator, Airman First/Second Class (x2)	
IDE Operator Team (x9)	
IDE Operator, Airman First/Second Class (x2)	
IDE Monitor Team (x9)	
IDE Monitor, Airman First/Second Class (x2)	
Sentry Dog Element HQ (x3)	
Leader, Technical Sergeant	
Sentry Dog Team (x27)	
Dog Handler, Airman First/Second Class	

NOTES: The Combat Security Police Squadron was roughly equal to an US Army battalion, its flights to companies, its sections to platoons, and its elements to squads. For simplicity, US Army style markings have been used where appropriate based on these rough equivalences. Teams were intended to fight as two 5-man fire teams, but the detail breakdown on goes to Element level. Also, the results of the 1041st Security Police Squadron (Test) evaluation during Operation Safe Side, led to the planned introduction of either an XM174 automatic grenade launcher team or static M134 “Minigun” team into each Weapons Section. It appears that Miniguns were rare, and that Squadron allotments of both weapons often ended up mounted on vehicles rather than in static emplacements or ground mounted as intended.