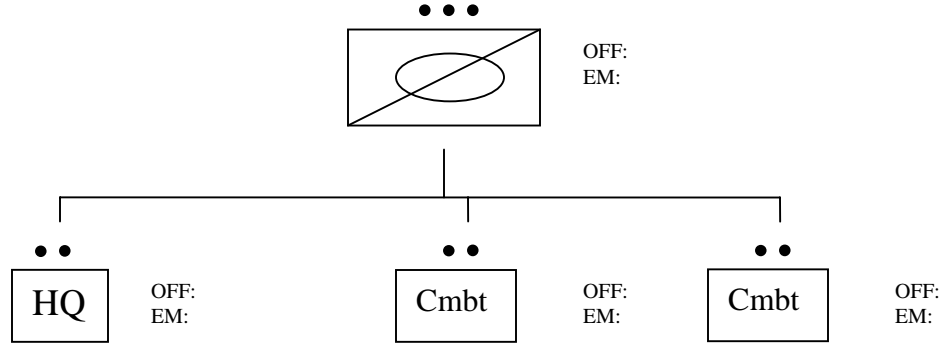


ARVN Regional Force Mechanized Platoon, TOE BA/CG-370 (2 June 1963)

Source: United States Government. United States Army, Army Concept Team in Vietnam. Final Report: Armor Organization for Counterinsurgency Operations in Vietnam. Army Concept Team in Vietnam, 1966.



#	Weapons	#	Equipment
---	---------	---	-----------

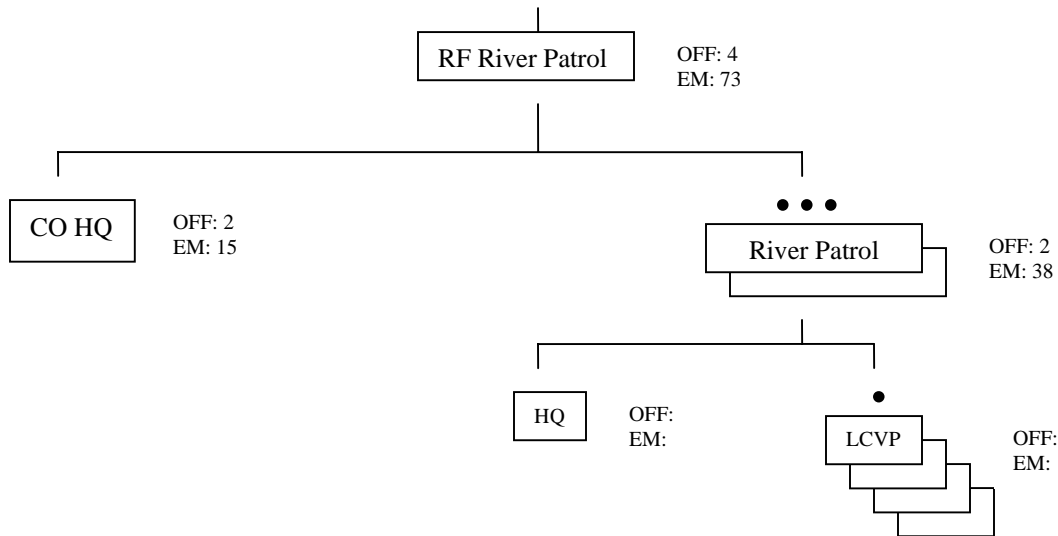
#	Vehicles	#	Aircraft
3	Ford Lynx Mk II Armored Car		
3	GM C15TA Armored Car		

Platoon HQ Section	Lynx Armored Car, GM C15TA Armored Car
---------------------------	--

Combat Section (x2)	Lynx Armored Car, GM C15TA Armored Car
----------------------------	--

ARVN Regional Force River Patrol Company, TOE 48-733 (1 January 1971)

Source: United States Government. Civil Operations and Revolutionary Development Support, Territorial Security Directorate. RF/PF Advisors Handbook. Civil Operations and Revolutionary Development Support, Territorial Security Directorate, 1971; Daniel, Victory and Judith C. Erdhem. CRC 284: Game Warden. Arlington, VA: Center for Naval Analyses, 1976.



#	Weapons	#	Equipment
?	M1919A4 MMG		
?	M2HB HMG		

#	Vehicles	#	Aircraft
8	LCVP		

Company HQ	
-------------------	--

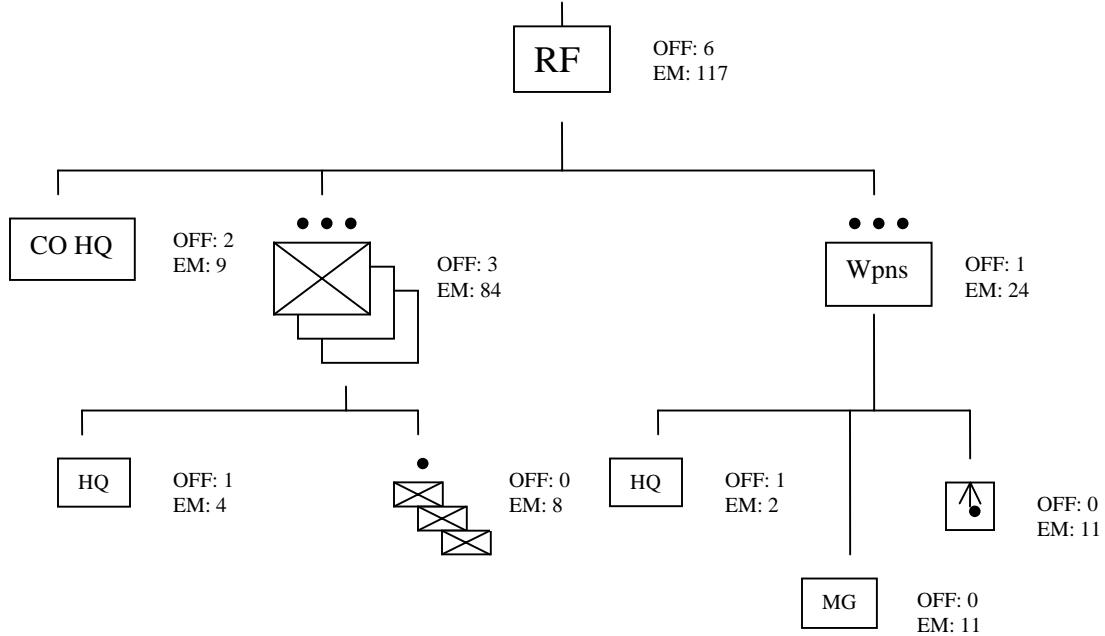
River Patrol Platoon HQ (x2)	
-------------------------------------	--

LCVP Squad (x8)	LCVP
------------------------	------

NOTES: Exact number of crew per boat is unclear, as is the weaponry. Second source mentions .30 and .50 caliber machine guns (assumed to be M1919 and M2 types respectively), but no specific numbers per boat.

ARVN Regional Force Company, TOE 48-742A (1 January 1971)

Source: United States Government. Civil Operations and Revolutionary Development Support, Territorial Security Directorate. RF/PF Advisors Handbook. Civil Operations and Revolutionary Development Support, Territorial Security Directorate, 1971.



#	Weapons	#	Equipment
109	M16A1 Rifle		
9	M79 Grenade Launcher		
2	M60 MG		
2	60mm M19 Mortar <i>or</i> 81mm M29 Mortar		
14	M1911A1 Pistol		

Company HQ	
-------------------	--

Rifle Platoon HQ (x3)	
------------------------------	--

Rifle Squad (x9)	
-------------------------	--

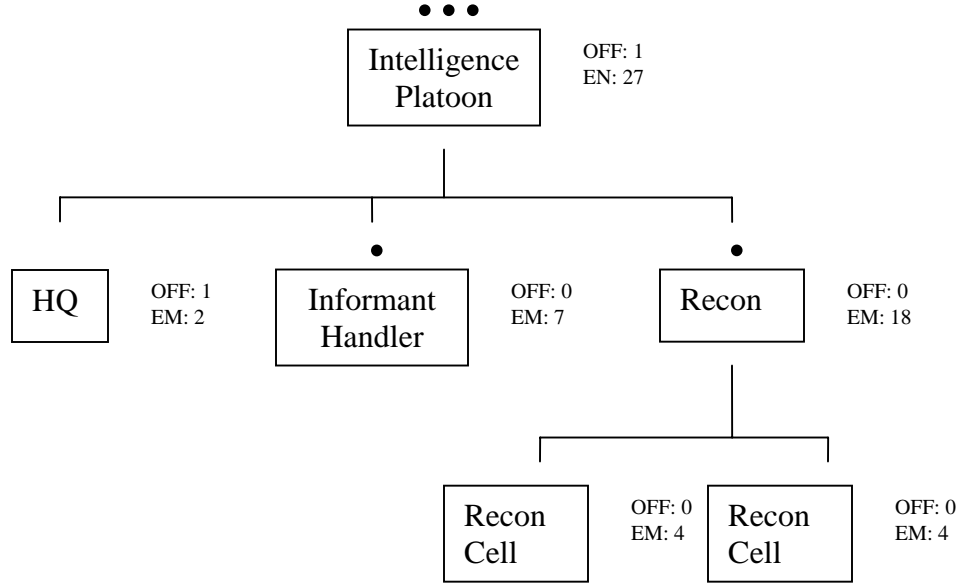
Weapons Platoon HQ	
---------------------------	--

Machine Gun Detachment	
-------------------------------	--

Mortar Detachment	
--------------------------	--

ARVN Regional Force Intelligence Platoon, TOE 48-840 (1 January 1971)

Source: United States Government. Civil Operations and Revolutionary Development Support, Territorial Security Directorate. RF/PF Advisors Handbook. Civil Operations and Revolutionary Development Support, Territorial Security Directorate, 1971.



#	Weapons	#	Equipment
18	M16A1 Rifle	3	AN/PRC-25 Radio
10	M1911A1 Pistol	1	KE-15 Still Picture Camera
		1	RD-173/V Recorder/Reproducer

#	Vehicles	#	Aircraft
1	Truck, 2 ½ Ton		
1	Truck, ¼ Ton		
1	Motor Bike		

Platoon HQ	
-------------------	--

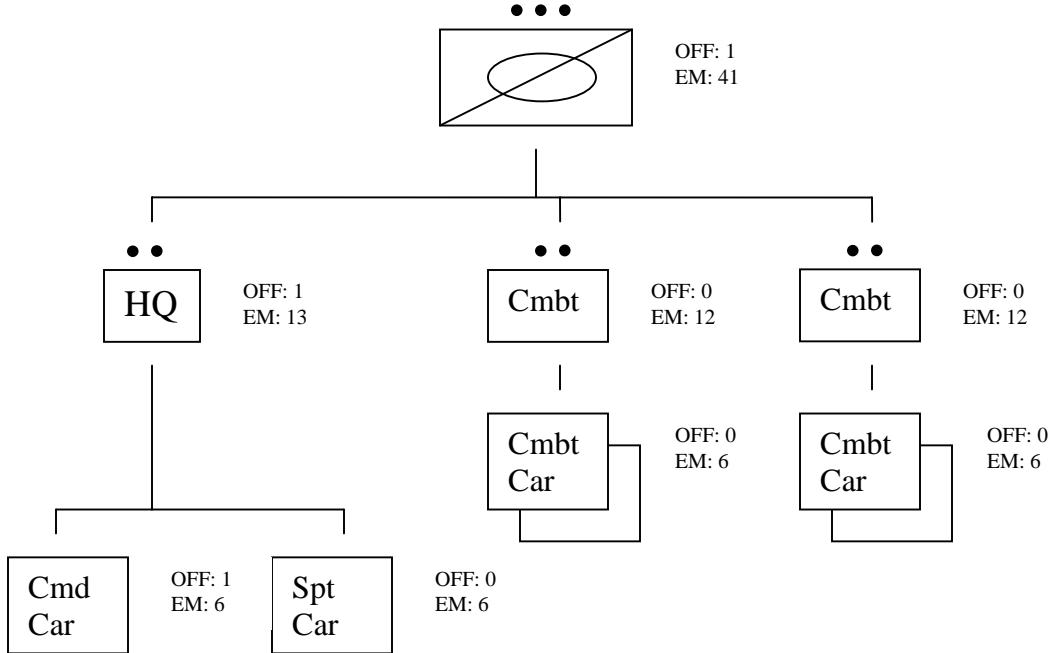
Informant Handler Squad	
--------------------------------	--

Reconnaissance Squad	
-----------------------------	--

Reconnaissance Cell (x2)	
---------------------------------	--

ARVN Regional Force Mechanized Platoon, TOE 48-883A (1 January 1971)

Source: United States Government. Civil Operations and Revolutionary Development Support, Territorial Security Directorate. RF/PF Advisors Handbook. Civil Operations and Revolutionary Development Support, Territorial Security Directorate, 1971.



#	Weapons	#	Equipment
21	M1911A1 Pistol		
21	M16A1 Rifle		
2	M60 MG		
4	M79 Grenade Launcher		
1	60mm M19 Mortar		

#	Vehicles	#	Aircraft
6	M706 Armored Car		

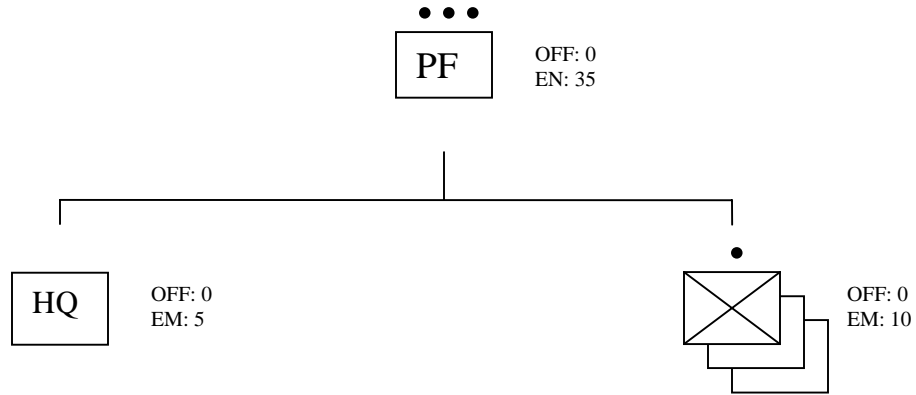
Command Car	M706 Armored Car
--------------------	------------------

Support Car	M706 Armored Car
--------------------	------------------

Combat Car (x4)	M706 Armored Car
------------------------	------------------

ARVN Popular Force Platoon Type A, TOE 48-890 (1 January 1971)

Source: United States Government. Civil Operations and Revolutionary Development Support, Territorial Security Directorate. RF/PF Advisors Handbook. Civil Operations and Revolutionary Development Support, Territorial Security Directorate, 1971; United States Government. Civil Operations and Revolutionary Development Support, Translations and Publications Branch. The Vietnamese Village: Handbook for Advisors. Civil Operations and Revolutionary Development Support, Translations and Publications Branch, 1971.



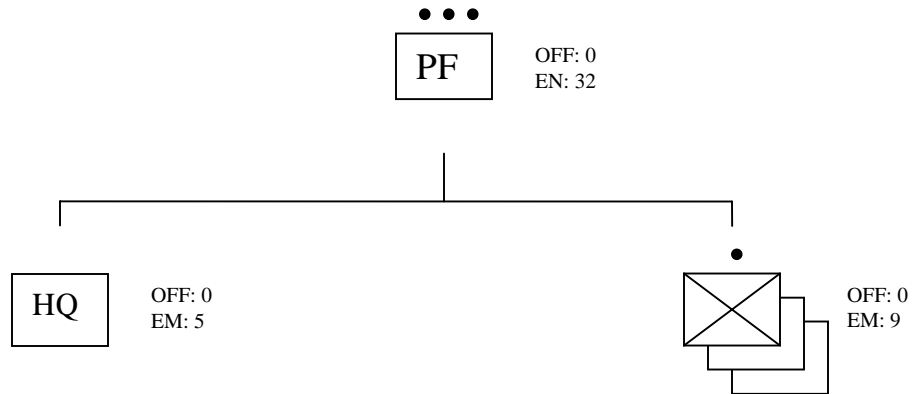
#	Weapons	#	Equipment
34	M16A1 Rifle	2	AN/PRC-25 Radio
1	M79 Grenade Launcher		
1	M1911A1 Pistol		

Platoon HQ	
Platoon Leader	
Assistant Platoon Leader	
Radio Telephone Operator (x2)	AN/PRC-25 Radio
Medic	

Rifle Squad (x3)	
Squad Leader	
Assistant Squad Leader	
Rifleman (x8)	

ARVN Popular Force Platoon Type B, TOE 48-891 (1 January 1971)

Source: United States Government. Civil Operations and Revolutionary Development Support, Territorial Security Directorate. RF/PF Advisors Handbook. Civil Operations and Revolutionary Development Support, Territorial Security Directorate, 1971; ; United States Government. Civil Operations and Revolutionary Development Support, Translations and Publications Branch. The Vietnamese Village: Handbook for Advisors. Civil Operations and Revolutionary Development Support, Translations and Publications Branch, 1971.



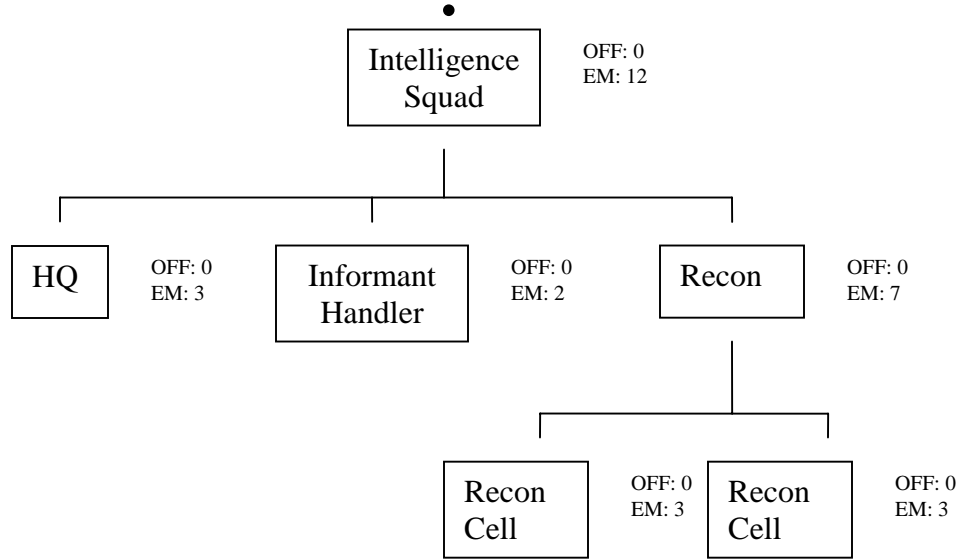
#	Weapons	#	Equipment
34	M16A1 Rifle	2	AN/PRC-25 Radio
1	M79 Grenade Launcher		
1	M1911A1 Pistol		

Platoon HQ	
Platoon Leader	
Assistant Platoon Leader	
Radio Telephone Operator (x2)	AN/PRC-25 Radio
Medic	

Rifle Squad (x3)	
Squad Leader	
Assistant Squad Leader	
Rifleman (x7)	

ARVN Regional Force Intelligence Squad, TOE 48-940A (1 January 1971)

Source: United States Government. Civil Operations and Revolutionary Development Support, Territorial Security Directorate. RF/PF Advisors Handbook. Civil Operations and Revolutionary Development Support, Territorial Security Directorate, 1971.



#	Weapons	#	Equipment
9	M16A1 Rifle	1	AN/PRC-25 Radio
3	M1911A1 Pistol	1	35mm Still Picture Camera

#	Vehicles	#	Aircraft
1	Truck, ¾ Ton		
1	Motor Bike		

Squad HQ	
-----------------	--

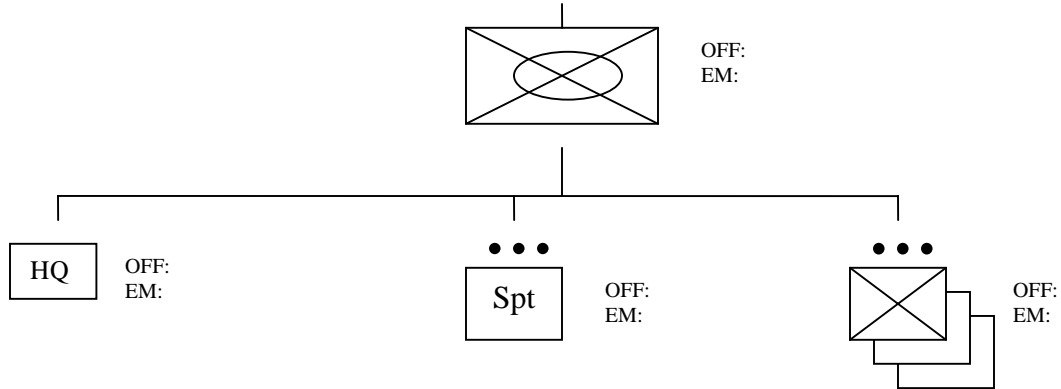
Informant Handler Team	
-------------------------------	--

Reconnaissance Team	
----------------------------	--

Reconnaissance Cell (x2)	
---------------------------------	--

ARVN Mechanized Infantry Company (~April 1962)

Source: Grandolini, Albert. Armor of the Vietnam War: (2) Asian Forces. Hong Kong: Concord Publications, 1998



#	Weapons	#	Equipment
18	M1918A2 BAR		
15	M2HB HMG		
3	60mm M19 Mortar		
3	3.5" M20A1B1 Rocket Launcher		

#	Vehicles	#	Aircraft
15	M113/A1 APC		

Company HQ	2 M113 w/ M2HB HMG
-------------------	--------------------

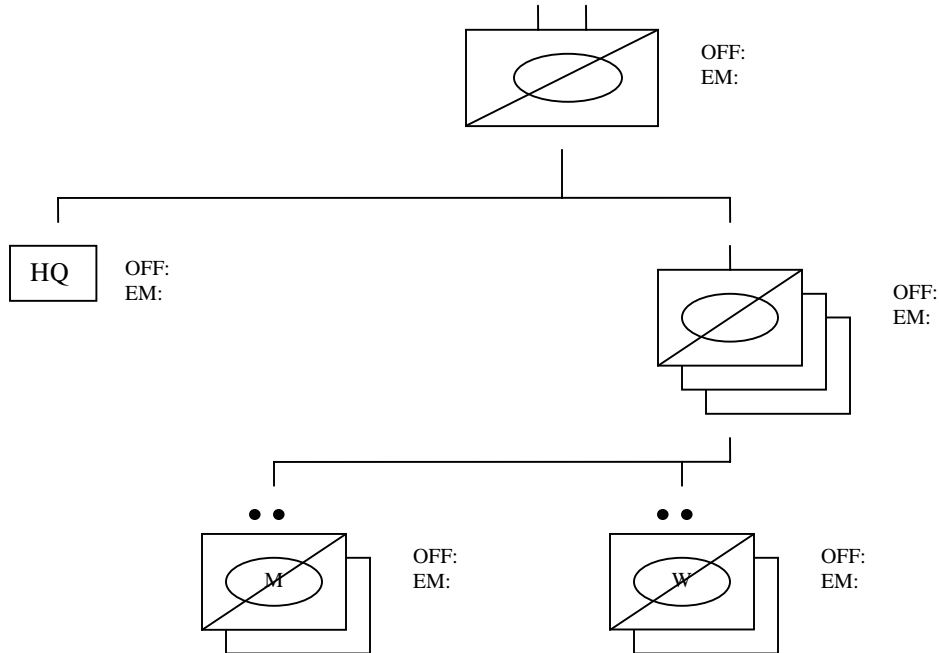
Support Platoon	4 M113 w/ M2HB HMG
------------------------	--------------------

Rifle Platoon (x3)	3 M113 w/ M2HB HMG
---------------------------	--------------------

NOTES: Though details of the exact organization are lacking in this source, it is noted that each rifle platoon had three rifle squads, and all mortars and rocket launchers were consolidated in the Support Platoon.

ARVN Reconnaissance Squadron (~1963)

Source: Grandolini, Albert. Armor of the Vietnam War: (2) Asian Forces. Hong Kong: Concord Publications, 1998



#	Weapons	#	Equipment
---	---------	---	-----------

#	Vehicles	#	Aircraft
8	M114		
?	Truck, ¼ Ton		

Squadron HQ	2 M114
--------------------	--------

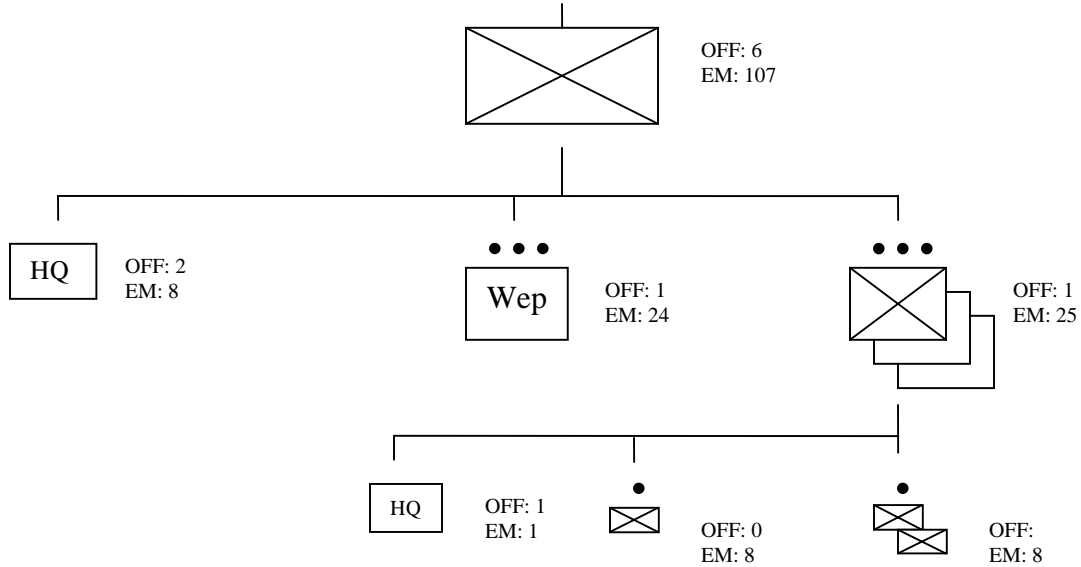
Recon Section (Mech) (x6)	3 M114
----------------------------------	--------

Recon Section (Wheel) (x6)	? Truck, ¼ Ton
-----------------------------------	----------------

NOTES: Firstly, this organization only lasted between the arrival of the M114 in late 1962 and its withdrawal from service in November, 1964. It is unclear just how many Jeeps were in the wheeled element, but it is likely that they were equal in number and composition to the M114s. It is also likely that there was a Troop HQ element, though not mentioned in the source as having any vehicles.

ARVN Infantry Company (~1963-66)

Source: Weller, Jac. Fire and Movement: Bargain Basement Warfare in the Far East. Boulder, CO: Paladin Press, 2006



#	Weapons	#	Equipment
6	M1918A2 BAR		
45	M1 Rifle		
15	M1 Carbine		
4	M1 SMG		
2	M1919A4 LMG <i>or</i> M1919A6 LMG		
2	60mm M19 Mortar		
2	3.5" M20A1B1 Rocket Launcher		

Company HQ	
-------------------	--

Weapons Platoon	
------------------------	--

Rifle Platoon HQ (x3)	
------------------------------	--

Maneuver Squad (x3)	
----------------------------	--

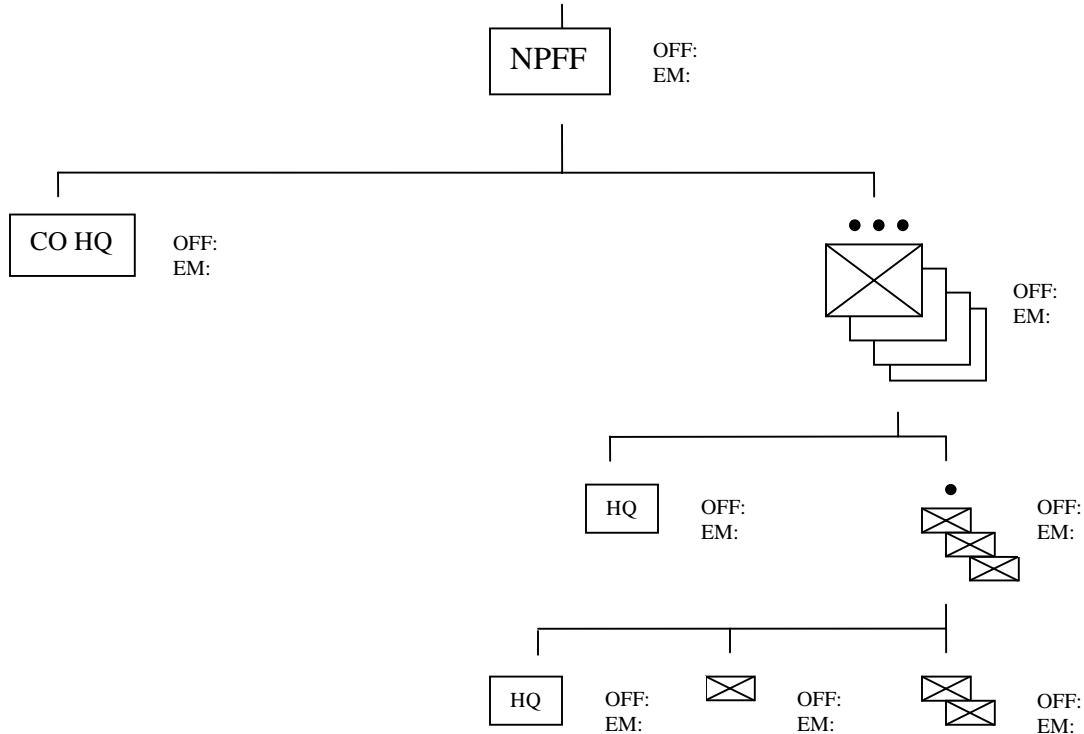
Fire Squad (x6)	
------------------------	--

NOTES: Weapons figures are based on the number of individual weapons in the rifle platoons and heavy weapons in the weapons platoon provided by the source. The source

indicates that heavy weapons could be widely variable from what is presented. Each Rifle platoon is made up of a single “maneuver” squad and 2 “fire” squads. These differed only in weapons allotted.

GVN National Police Field Force Company (18 April 1968)

Source: United States Government. Military Assistance Command, Vietnam, Civil Operations and Revolutionary Development Support. Guidelines for Advice of National Police Field Forces. Military Assistance Command, Vietnam, Civil Operations and Revolutionary Development Support, 1968.



#	Weapons	#	Equipment
96	M2 Carbine	10	FM-5 Radio
36	M1 Rifle	16	FM-1 Radio
16	.38 Revolver		
12	M1918A2 BAR		
24	Shotgun		
5	M79 Grenade Launcher		

#	Vehicles	#	Aircraft
5	Truck, ¼ Ton		
2	Truck 1 ½ Ton		
1	Trailer, ¼ Ton		
1	Trailer, Water, 250 Gallon		

Company HQ	Truck, ¼ Ton; 2 Truck 1 ½ Ton; Trailer ¼ Ton; Trailer, Water, 250 gallon
Company CO	.38 Revolver, M79 Grenade Launcher
Company XO	.38 Revolver

Constable	M2 Carbine
Radio Operator (x2)	.38 Revolver
Driver (x3)	M2 Carbine

Patrol Platoon HQ (x4)	Truck, ¼ Ton
Platoon Leader	.38 Revolver, M79 Grenade Launcher
Assistant Platoon Leader	M2 Carbine
Radio Operator	.38 Revolver
Driver	M2 Carbine
Medic	.38 Revolver

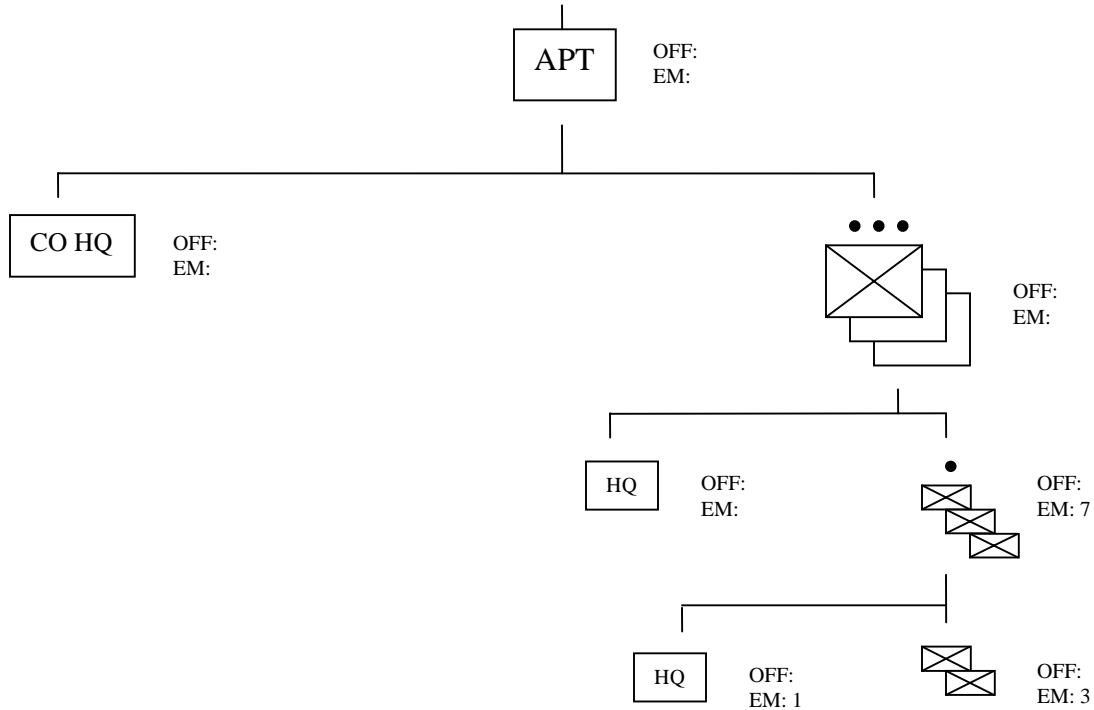
Patrol Squad HQ (x12)	
Squad Leader	M2 Carbine

Patrol Team (x12)	
Team Leader	M2 Carbine
Constable	M1918A2 BAR
Constable	M1 Rifle
Constable	M2 Carbine

Patrol Team (x24)	
Team Leader	M2 Carbine
Constable	M2 Carbine
Constable	Shotgun
Constable	M1 Rifle

GVN Armed Propaganda Team Company (1 April 1969)

Source: United States Government. Military Assistance Command, Vietnam, Civil Operations and Revolutionary Development Support, Chieu Hoi Directorate. APT Handbook. Military Assistance Command, Vietnam, Civil Operations and Revolutionary Development Support, Chieu Hoi Directorate, undated.



#	Weapons	#	Equipment
57	M2 Carbine	4	AN/PRC-10 Radio
5	.38 Revolver	3	AN/UIH-5 Public Address Set
3	M1918A2 BAR	3	AN/TNH-2 Recorder/Reproducer
6	Thompson SMG	3	Portable Loudspeaker
3	M1919A6 MG	1	35mm Still Picture Camera

#	Vehicles	#	Aircraft
2	Truck, ¼ Ton		
2	Trailer, ¼ Ton		

APT Company HQ	2 Truck, ¼ Ton w/ Trailer ¼ Ton
Company Commander	
Deputy Company Commander	
Administrative Clerk	
Supply Clerk	
Medic	

APT Platoon HQ (x3)	
Platoon Leader	
Assistant Platoon Leader	

APT Squad HQ (x9)	
Squad Leader	

APT Section (x18)	
--------------------------	--

NOTES: According to the document in question, specialized squads or platoons could be designated in the company, and filled with relevant personnel, such as psychological operation specialists. It was recommended that at least one platoon be designated a psychological operations platoon, and that further one squad in that platoon should be designated as a “Culture/Drama Team,” a be staffed with women. The entire company, with the exception of the command elements were intended to be so-called “ralliers” (read defectors) from the NLF/Viet Cong, who had gone through the Chieu Hoi Program.

total manpower to 107. Weapons were reported to be as available (including obsolete weapons of World War II vintage of British, French, and American origin), and not enough to arm the entire PSDF Group, so that weapons would be carried on active patrols only, in an attempt to stop pilfering and other loss.