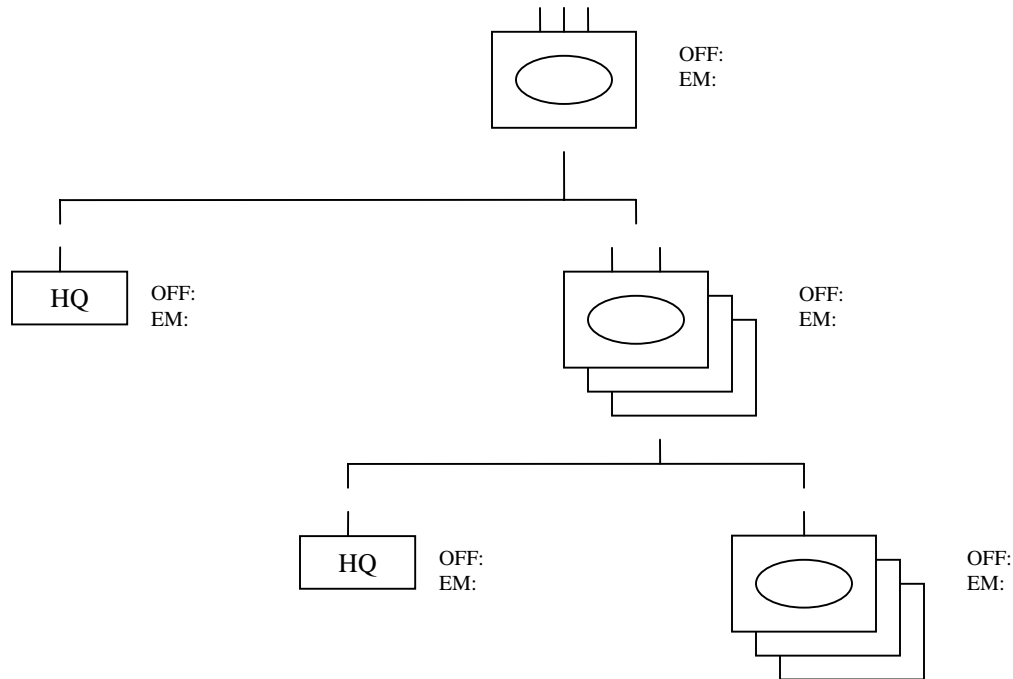


PAVN Armored Regiment (~1971-1975)

Source: Grandolini, Albert. *Armor of the Vietnam War: (2) Asian Forces*. Hong Kong: Concord Publications, 1998



#	Weapons	#	Equipment
---	---------	---	-----------

#	Vehicles	#	Aircraft
76	T-34/85 or T-54/B or Type 59 or PT-76 or Type 63 Tank		
35	BTR-50/PK or K-63 APC		

Regiment HQ Company	
----------------------------	--

Battalion HQ (x3)	2 T-34/85 or T-54/B or Type 59 or PT-76 or Type 63 Tank or 2 BTR-50/PK or K-63 APC
--------------------------	--

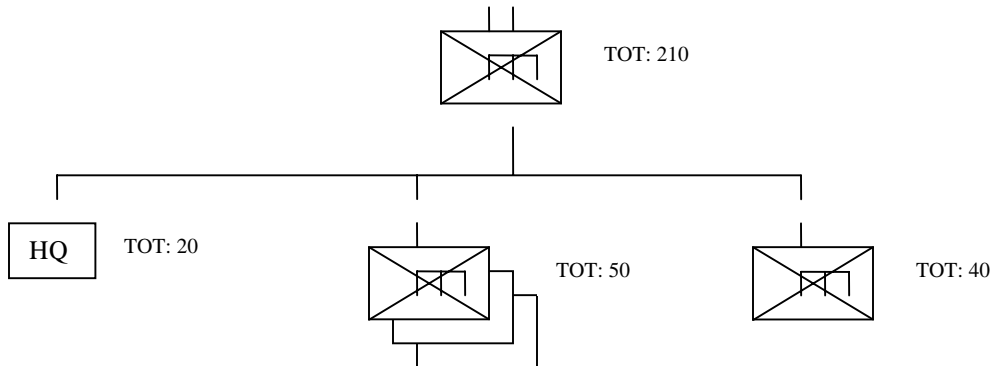
Armored Company (x9)	12 T-34/85 or T-54/B or Type 59 or PT-76 or Type 63 Tank or 11 BTR-50/PK or K-63 APC
-----------------------------	--

NOTES: PAVN Armored Regiments were reorganized in 1971 according to the source, and all were based around 3 battalions, each with three companies. HQ elements are included because they likely existed. Other support formations also likely existed. The normal organization for the regiment was two tank battalions and an APC battalion,

however, individual battalions often were mixed. A tank battalion might have two companies of tanks (and companies of either light or medium tanks) and an APC company or two companies of APCs and a single tank company. Totals for the regiment and companies are based on the battalion totals provided in the source (38 tanks per tank battalion and 30-35 APCs per APC battalion, assuming the standard practice of 1-2 vehicles in the battalion HQ present in both the Soviet and American systems at the time), and pure battalions. Vehicle types are representative.

PAVN Sapper Battalion (Undated)

Source: Conboy, Ken and Ken Bowra. The NVA and Viet Cong. Oxford, UK: Osprey Publishing, 1991



#	Weapons	#	Equipment
4	60mm Mortar	1	15 watt Radio
1	57mm RR	4	Field Telephone
12	RPG-7	20	Roll, Commo Wire
12	RPG-2		
4	Flame Thrower		
2	Machine Gun?		
92	Rifle/Carbine?		
18	Pistol?		
100	AK SMGs		
2	RP-46 ARs		
420	Hand Grenade?		
210	3 kg explosive?		
?	AT Mine		
?	AP Mine		

Battalion HQ	
---------------------	--

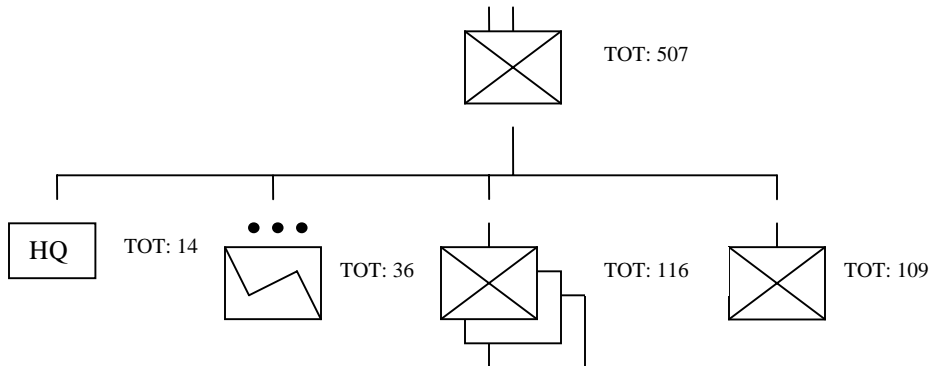
Sapper Company (x3)	
----------------------------	--

Sapper Company (-)	
---------------------------	--

NOTES: Source does not provide separate personnel numbers for officers and enlisted personnel, only totals (TOT). No specific breakdown on weapon distribution mentioned, though it is noted that ammo bearers for B-40 and MG elements did not have personal weapons. This formation is undated and likely is only “representative” of a typical formation of this type.

PLAF Infantry Battalion (Main Force) (Undated)

Source: Conboy, Ken and Ken Bowra. The NVA and Viet Cong. Oxford, UK: Osprey Publishing, 1991



#	Weapons	#	Equipment
23	M1933/Type 51 Pistol		
193	SKS Carbine <i>or</i> M1944 Carbine		
132	AK-47/Type 56 Rifle <i>or</i> M1 Rifle		
27	RPD/Type 56 LMG <i>or</i> DPM LMG		
6	RP-46/Type 56 LMG <i>or</i> DPM LMG		
6	SG-43/Type 53 MMG/HMG <i>or</i> None		
27	RPG-2/Type 56 Rocket Launcher		
6	Type 31 60mm Mortar		
3	M1937/Type 53 82mm Mortar		
2	Type 56 57mm Recoilless Rifle		
1	Type 52/56 75mm Recoilless Rifle		

Battalion HQ	
---------------------	--

Signal Platoon	
-----------------------	--

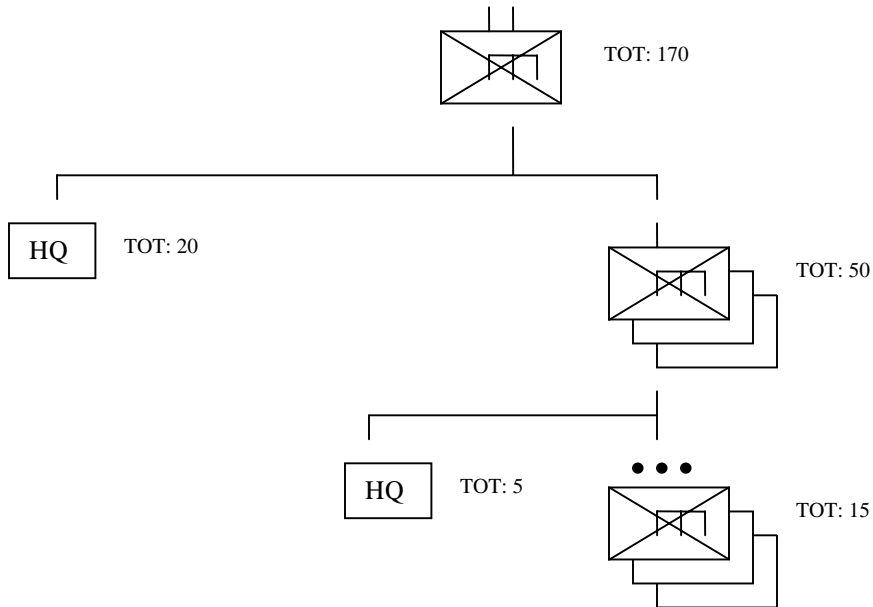
Infantry Company (x3)	
------------------------------	--

Infantry Company (-)	
-----------------------------	--

NOTES: Source does not provide separate personnel numbers for officers and enlisted personnel, only totals (TOT). No specific breakdown on weapon distribution mentioned in the source. Substitutions are mentioned as for “VC” (assumed to be PLAF Local Force), and only in 70% of instances. No specific date is provided so these figures are likely flexible.

PLAF Sapper Battalion (Undated)

Source: Conboy, Ken and Ken Bowra. The NVA and Viet Cong. Oxford, UK: Osprey Publishing, 1991



#	Weapons	#	Equipment
81	AK-47	340	Shovel
4	K-54 HMG		
5	RPG-2/RPG		
1	RPD LMG		
340	Hand Grenade?		
?	Claymore Mine		
340	Dagger		
1	60mm Mortar		
4	B-40 RL		
1	.30 Cal MG?		
3	Thompson SMG		
15	Pistol?		
9	SKS/CKC		
3	K44 Carbine		
4	Automatic Rifle?		
35	Carbine/Rifle?		
340	3 kg 04 Explosive		

Battalion HQ	
---------------------	--

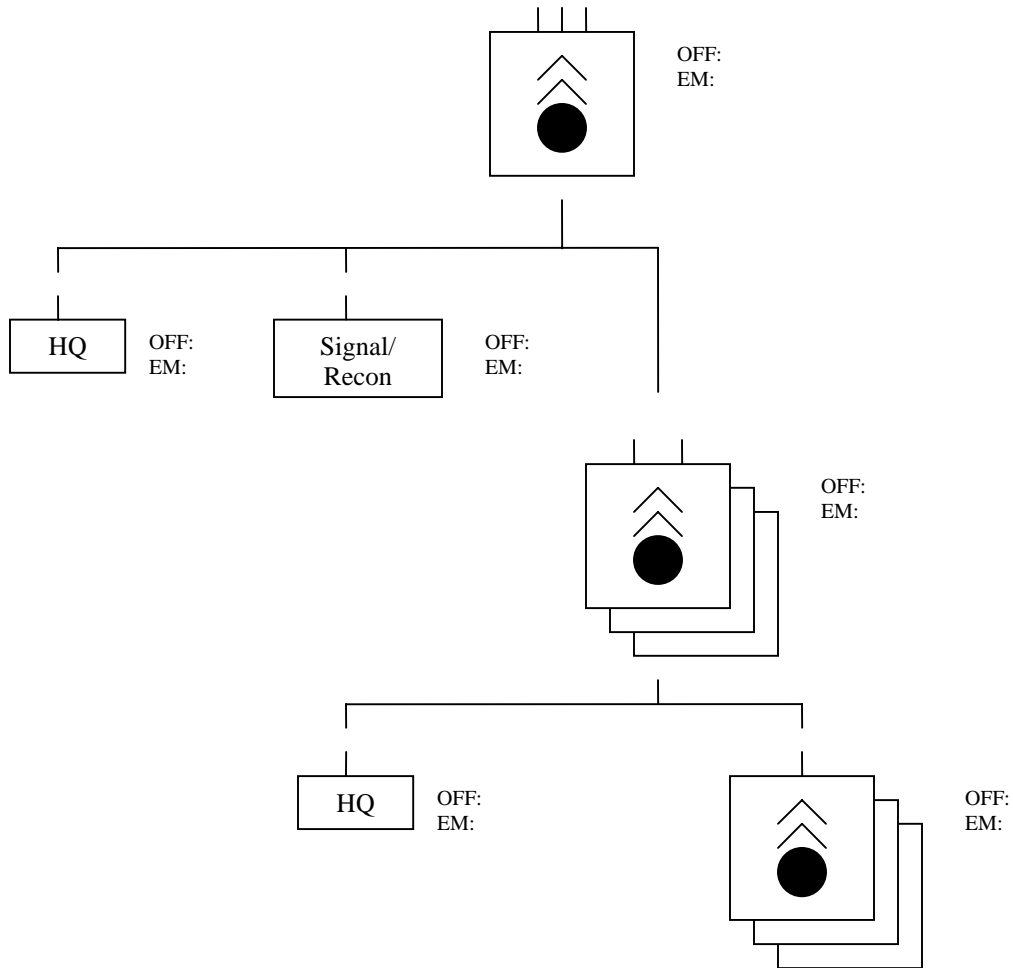
Sapper Company HQ (x3)	
-------------------------------	--

Sapper Platoon (x9)	
----------------------------	--

NOTES: Source does not provide separate personnel numbers for officers and enlisted personnel, only totals (TOT). No separate company HQ is mentioned, but has been inserted based the number of personnel in each platoon. No specific breakdown on weapon distribution mentioned except that each man in each section would have carried two hand grenades (of unspecified type; source mentions twice, but this list only once, possibility that four grenades may have actually been carried) and 3 kg of explosive (“04” type). 9 out of the 15 men per platoon were also to have been equipped with AK-47s. “RPG-2” and “RPG” numbers are combined from the source, as are SKS and CKC (likely a misunderstanding of the same weapon, as CKC is the Cyrillic). This formation is undated and likely a later war TO&E based on the presence of AK-47s and RPG-2s, and is also likely only “representative” of a typical formation of this type.

PAVN-PLAF Rocket Regiment (Undated)

Source: Fox, Roger P. *Air Base Defense in the Republic of Vietnam 1961-1973*. Washington, DC: Office of Air Force History, 1979.



#	Weapons	#	Equipment
108	107mm Rocket Launcher	216	107mm Rocket
	<i>or</i>		<i>or</i>
54	122mm Rocket Launcher	162	122mm Rocket
	<i>or</i>		<i>or</i>
144	140mm Rocket Launcher	144	140mm Rocket

#	Vehicles	#	Aircraft
---	----------	---	----------

Regiment HQ Company	
----------------------------	--

Signal/Recon Company	
-----------------------------	--

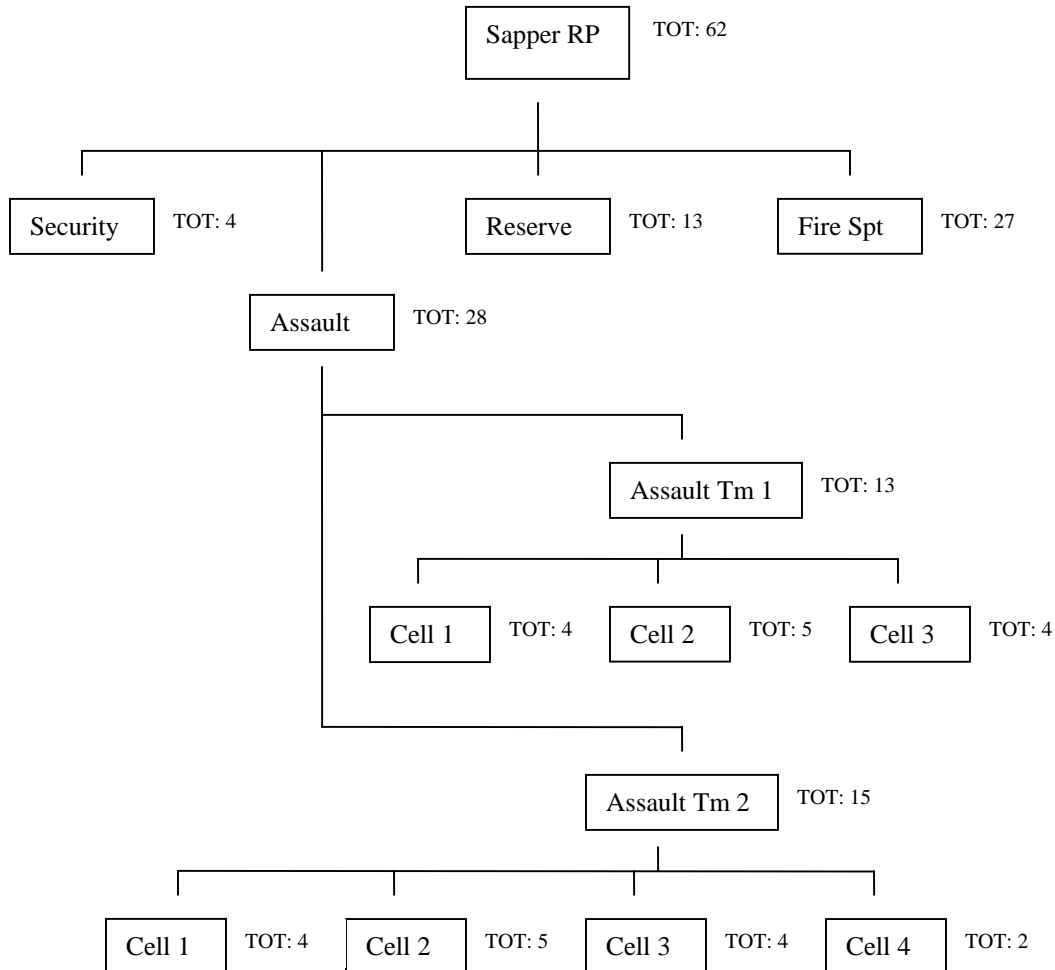
Battalion HQ (x3)	
--------------------------	--

Rocket Company (x9)	12 107mm Rocket Launchers (w/ 24 Rockets) <i>or</i> 6 122mm Rocket Launchers (w/ 18 Rockets) <i>or</i> 16 140mm Rocket Launchers (w/ 16 Rockets)
----------------------------	--

NOTES: It is unclear whether the Signal/Recon company was actually two companies (one signal and one recon). No personnel numbers or other equipment are provided in the source.

PAVN-PLAF Sapper Raiding Party (Undated)

Source: Fox, Roger P. *Air Base Defense in the Republic of Vietnam 1961-1973*. Washington, DC: Office of Air Force History, 1979.



#	Weapons	#	Equipment
29	AK-47 Rifle	1	K-63 Man-Pack Radio
8	B-40 Rocket Launcher	2	Wire Cutter
2	Mine?	60	82mm Mortar Bomb
1	Machine Gun?		
230	Shaped Charge		
7	Bangalore Torpedo		
17	Anti-Tank Grenade		
2	82mm Mortar		

Security Element	B-40 Rocket Launcher, 2 AK-47 Rifle, 2 Mine
-------------------------	---

Reserve Element	Machine Gun, B-40 Rocket Launcher, 9 AK-47 Rifle, 30 Shaped Charge
Fire Support Element	2 82mm Mortar (w/ 60 Mortar Bombs), 4 AK-47 Rifle, K-63 Man-Pack Radio
Cell 1, Assault Team 1 (Penetration)	2 AK-47 Rifle, 3 Bangalore Torpedo, 2 Wire Cutter
Cell 2, Assault Team 1 (Assault)	2 B-40 Rocket Launcher, 3 AK-47 Rifle, 70 Shaped Charge, 3 Anti-Tank Grenade
Cell 3, Assault Team 1 (Assault)	2 AK-47 Rifle, B-40 Rocket Launcher, 50 Shaped Charge, 5 Anti-Tank Grenade
Cell 1, Assault Team 2 (Penetration)	2 AK-47 Rifle, 4 Bangalore Torpedo
Cell 2, Assault Team 2 (Assault)	B-40 Rocket Launcher, 45 Shaped Charge, 2 AK-47 Rifle, 5 Anti-Tank Grenade
Cell 3, Assault Team 2 (Assault)	B-40 Rocket Launcher, 35 Shaped Charge, 2 AK-47 Rifle, 3 Anti-Tank Grenade
Cell 4, Assault Team 2 (Fire Support)	B-40 Rocket Launcher, AK-47 Rifle

NOTES: No information on the ranks or type of personnel in the raiding party. Weapons are provided in element equipment section because of this. Organization is described as “typical” and no specific time period is provided. Number of assault teams and cells dependant on mission and personnel available according to the source.