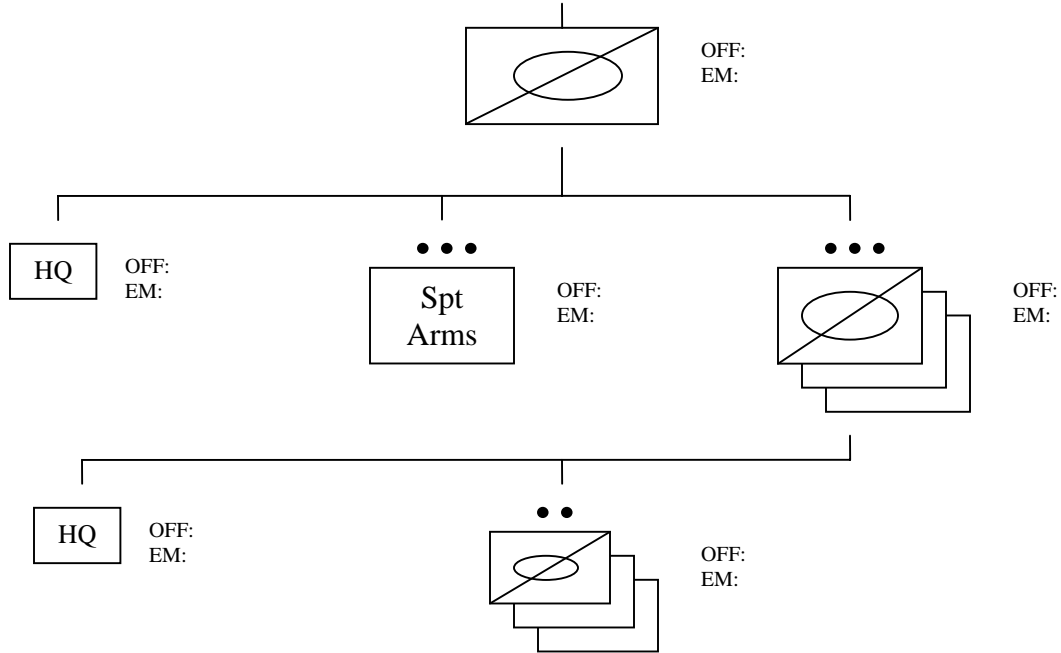


Australian Army Cavalry Squadron (January 1967)

Source: Lovell, Shane. 'A' Squadron, 3rd Cavalry Regiment – Organization – January 1967. Sentinel. 22 March 2008. <http://www.mheaust.com.au/Aust/Organisation/SVN/3cav67.htm>



#	Weapons	#	Equipment
36	L3 MMG	18	M74C Turret
23	M2HB HMG		
3	81mm M29 Mortar		
1	M60 LMG		

#	Vehicles	#	Aircraft
37	M113A1 APC		
3	M125A1 Mortar Carrier		
1	M113A1 Fitter		
1	M577A1 Command Vehicle		

Squadron HQ Section	3 M113A1 w/ M2HB HMG, M577A1 Command Vehicle, M113A1 Fitter
----------------------------	---

Support Arms Troop	3 M125A1 Mortar Carrier, M113A1 w/ M2HB HMG
---------------------------	---

Troop HQ (x3)	2 M113A1 w/ M2HB HMG
----------------------	----------------------

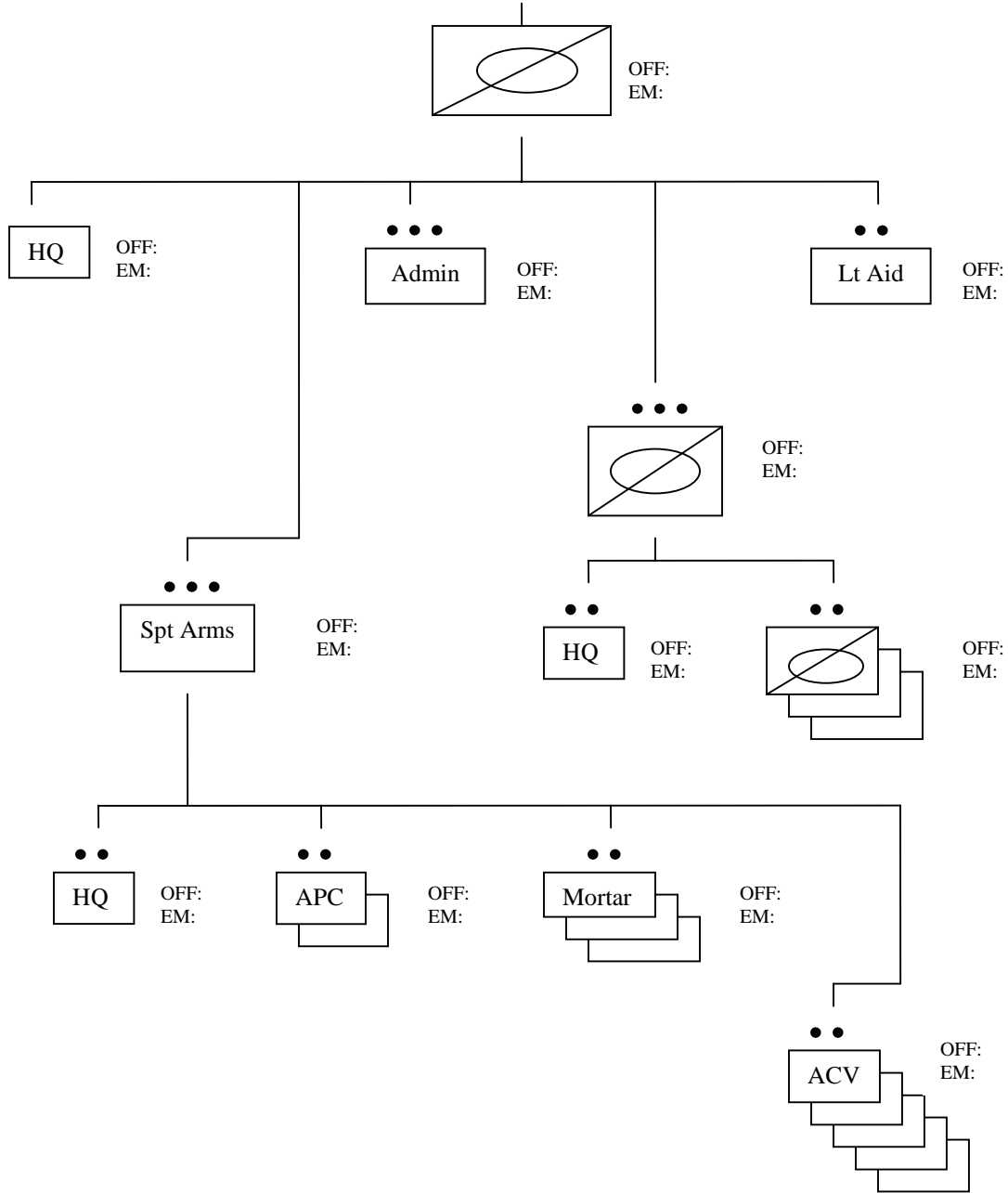
Troop Section (x9)	2 M113A1 w/ M74C Turret w/ 2 L3 MMG,
---------------------------	--------------------------------------

M113A1 w/ M2HB HMG

NOTES: The Support Arms Troop according to the source was also broken down into two sections, one with a single mortar carrier and the troop's APC, and one with 2 mortar carriers.

Australian Army Cavalry Squadron (~1970)

Source: United States Government. United States Army, Army Concept Team in Vietnam. Final Report: Optimum Mix of Armored Vehicles for Use in Stability Operations. Army Concept Team in Vietnam, 1970.



#	Weapons	#	Equipment
?	L3 MMG	48	T-50 Turret
?	M2HB HMG		
6	81mm M29 Mortar		
6	M60 LMG		

#	Vehicles	#	Aircraft
48	M113A1 APC		
6	M125A1 Mortar Carrier		
6	M577A1 Command Vehicle		
4	M113A1 Fitter		
2	1/2 Ton Truck		

Squadron HQ Section	3 M113A1 APC w/ T-50 Turret, M577A1 Command Vehicle
----------------------------	---

Support Arms Troop HQ Section	2 1/2 Ton Truck
--------------------------------------	-----------------

Support Arms Troop APC Section (x2)	3 M113A1 APC w/ T-50 Turret
--	-----------------------------

Support Arms Troop Mortar Section (x3)	2 M125A1 Mortar Carrier
---	-------------------------

Support Arms Troop ACV Section (x5)	M577A1 Commando Vehicle
--	-------------------------

Troop HQ (x3)	4 M113A1 APC w/ T-50 Turret
----------------------	-----------------------------

Troop Section (x9)	3 M113A1 APC w/ T-50 Turret
---------------------------	-----------------------------

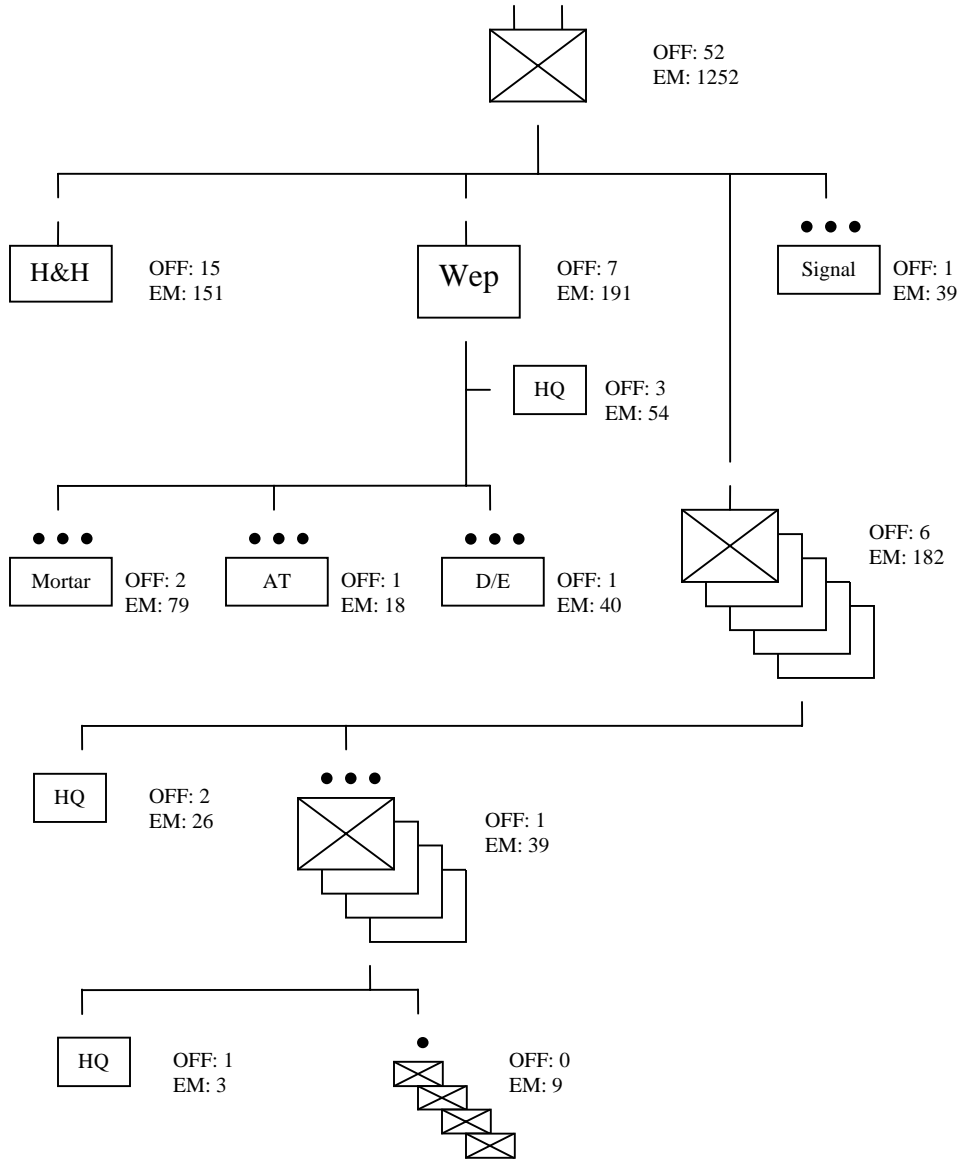
Admin Troop	
--------------------	--

Light Aid Detachment	4 M113A1 Fitter
-----------------------------	-----------------

NOTES: The numbers for L3 and M2HB machine guns are unknown, as the exact number L3/L3 and M2HB/L3 configurations for the T-50 turrets was not clear. All M113A1 APCs were said to be fitted with the turret. M577A1s were known to be fitted with M60s, and the M113A1 Fitters would have been fitted with an open M2HB. The APC sections in the support troop were to be used to augment cavalry troops, while the ACV sections were to be doled out to Infantry Battalion HQs when necessary as command posts. According to the source the mortars in the M125A1 were provided by infantry units, along with their gunners, and neither were organic to the unit. Only the two man crew was organic to the unit. These carriers could have been standard M113A1s based on this note.

Australian Army Rifle Battalion (~1963-66)

Source: Weller, Jac. Fire and Movement: Bargain Basement Warfare in the Far East. Boulder, CO: Paladin Press, 2006



#	Weapons	#	Equipment
4	106mm M40 RR		
	<i>or</i>		
8	84mm Carl Gustav M2 RR		
12	81mm M29 Mortar		
?	Infantry Flame Thrower		
15	3.5" M20A1B1 Rocket Launcher		
10	M60 MMG		
80	M60 LMG		

580	SLR (FN FAL) Rifle <i>or</i> M16 Rifle		
140	Owen SMG <i>or</i> F1 SMG		

Headquarters and Headquarters Company	
--	--

Weapons Company HQ	
---------------------------	--

Mortar Platoon	
-----------------------	--

Anti-Tank Platoon	
--------------------------	--

Demolitions/Engineer Platoon	
-------------------------------------	--

Signal Platoon	
-----------------------	--

Rifle Company HQ (x5)	
------------------------------	--

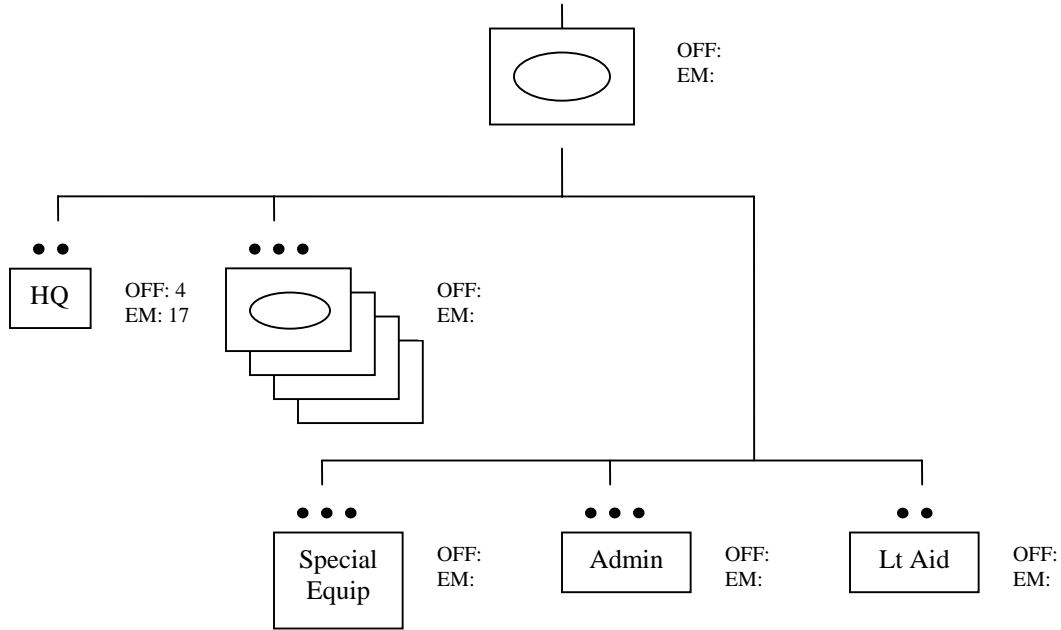
Rifle Platoon HQ (x20)	
-------------------------------	--

Rifle Squad (x80)	
--------------------------	--

NOTES: Weapons figures are based on the number of individual weapons in the rifle platoons and heavy weapons in the battalion and company weapons platoons provided by the source. The personnel total for the Battalion Headquarters and Headquarters Company is based on total personnel, and contained medical and service units not elaborated on by the source. The Heavy Weapons Company likely has a headquarters element not noted in the source, but has been provided in the chart based on other personnel figures (there may have been other support units also not noted). For political reasons concerning the conflict in Vietnam, Australian elements deployed utilized the American 90mm M67 recoilless rifle instead of the 84mm Carl Gustav M2. The 3.5” M20 rocket launcher was also replaced early on by the 66mm M72. The Demolitions and Engineer element also is noted to have had a number of infantry flame throwers. These were likely of Australian or American manufacture, but details of their number and utilization are unclear from the source. The M79 grenade launcher was also added to the available equipment by 1968.

Australian Army Tank Squadron (~1970)

Source: United States Government. United States Army, Army Concept Team in Vietnam. Final Report: Optimum Mix of Armored Vehicles for Use in Stability Operations. Army Concept Team in Vietnam, 1970.



#	Weapons	#	Equipment
2	M2HB HMG	1	T-50 Turret
		18	AN/VRC-12 Radio

#	Vehicles	#	Aircraft
18	Centurion Mk 5/1 Tank		
5	5-Ton Truck		
5	3/4-Ton Truck		
2	Centurion Bridge Layer		
2	Centurion Dozer		
2	Centurion ARV		
3	M113A1 Fitter		
3	M113A1 APC		
1	M577A1 Command Vehicle		
1	M113A1 Ambulance		

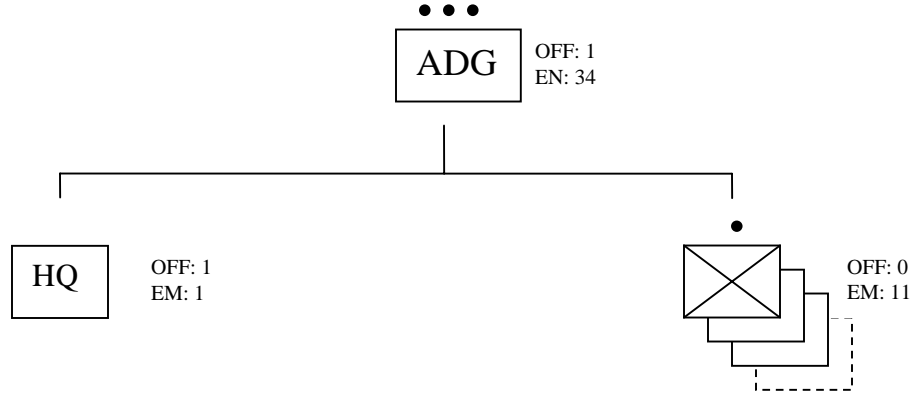
Tank Squadron HQ	2 Centurion Mk 5/1, 2 M113A1 APC w/ M2HB HMG, M113A1 APC w/ T-50 Turret, M113A1 Ambulance, M577A1 Command Vehicle, 3/4-Ton Truck
-------------------------	--

Tank Troop (x4)	4 Centurion Mk 5/1
Special Equipment Troop	2 Centurion Bridge Layer, 2 Centurion Dozer
Admin Troop	5 5-Ton Truck, 3 3/4-Ton Truck
Light Aid Detachment	2 Centurion ARV, 3 M113A1 Fitter, 3/4-Ton Truck

NOTES: According to the source, the unit in question was authorized 2 bridge layers, but only had one, and tank troops normally operated with only three tanks, the fourth position rotating and being held in reserve. The Light Aid Detachment was attached to the unit from a Regimental Aid Detachment, and therefore was likely not technically in the basic Tank Squadron TO&E.

RAAF Air Defense Guard Flight (~September 1966)

Source: Coulthard-Clark, C.D. RAAF in Vietnam: Australian Air Involvement in the Vietnam War, 1962-1975. Australia: Allen & Urwin, Ltd, 1995 ; Weller, Jac. Fire and Movement: Bargain Basement Warfare in the Far East. Boulder, CO: Paladin Press, 2006



#	Weapons	#	Equipment
32	SLR (FN FAL) Rifle <i>or</i> M16 Rifle		
3	M60 LMG		
3	Owen SMG <i>or</i> F1 SMG		

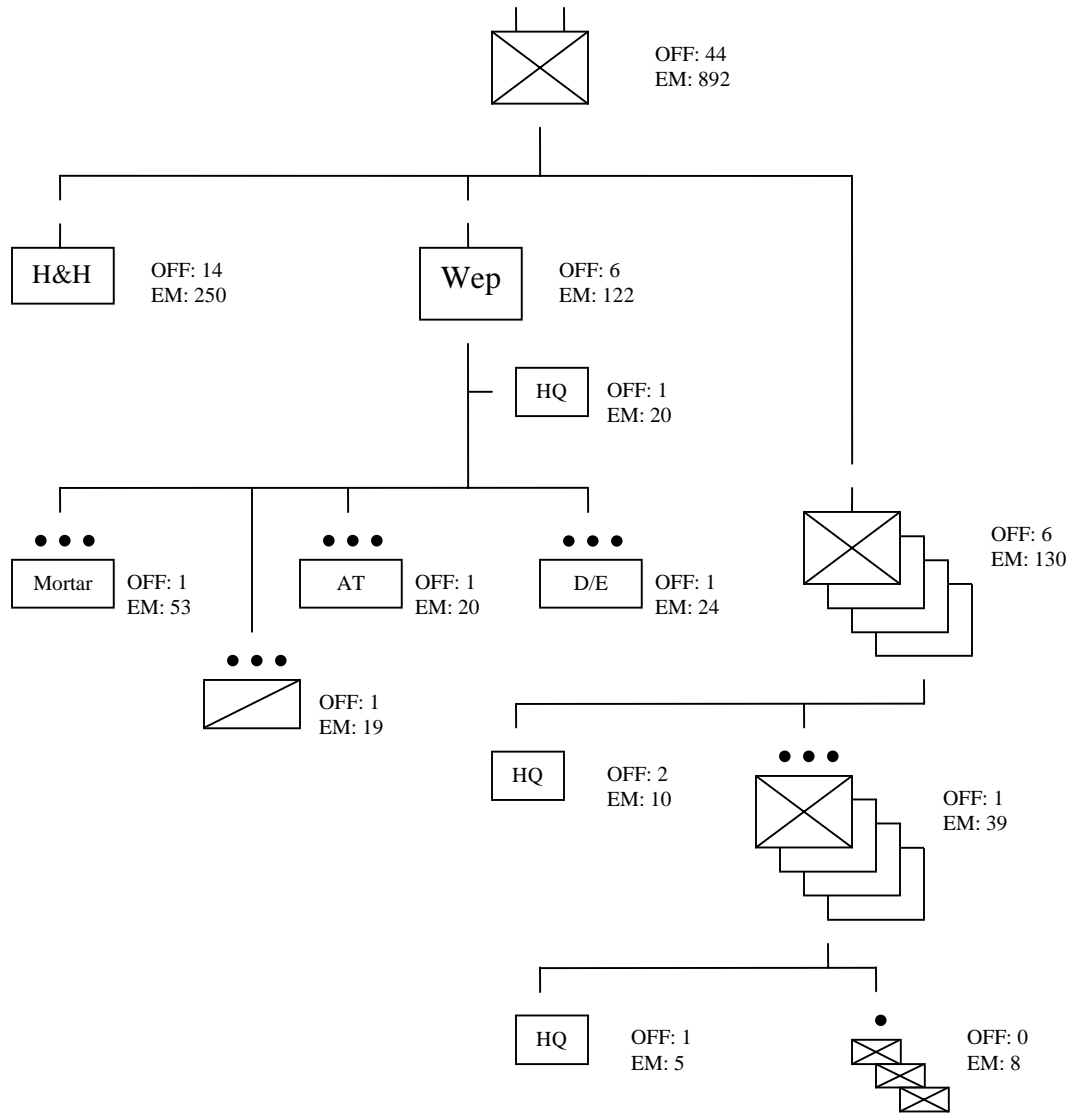
Platoon HQ	
-------------------	--

ADG Sections (x3+)	
---------------------------	--

NOTES: ADG units were formed on a relatively *ad-hoc* basis, as necessary, and could have any number of ADG sections. These units utilized standard infantry arms, but the exact equipage is unclear from the source. Impromptu Quick Reaction Force/Quick Reaction Team units were also formed, along with ambush patrol, from ADG assets, of widely varying sizes and equipment layouts. The M79 grenade launcher was also added to the available equipment as it became available to Australian forces as a whole.

New Zealand Rifle Battalion (~1963-66)

Source: Weller, Jac. Fire and Movement: Bargain Basement Warfare in the Far East. Boulder, CO: Paladin Press, 2006



#	Weapons	#	Equipment
4	106mm M40 RR <i>or</i> 120mm WOMBAT RR		
8	81mm M29 Mortar		
?	Infantry Flame Thrower		
24	3.5" M20A1B1 Rocket Launcher		
14	FN MAG MMG		
20	2" Mortar		
48	FN MAG LMG		

352	SLR (FN FAL) Rifle		
96	Owen SMG <i>or</i> L2A3 SMG		
96	Rifle Grenade Attachment		

Headquarters and Headquarters Company	
--	--

Support Weapons Company HQ	
-----------------------------------	--

Mortar Platoon	
-----------------------	--

Anti-Tank Platoon	
--------------------------	--

Demolitions/Engineer Platoon	
-------------------------------------	--

Reconnaissance Platoon	
-------------------------------	--

Rifle Company HQ (x4)	
------------------------------	--

Rifle Platoon HQ (x16)	
-------------------------------	--

Rifle Squad (x48)	
--------------------------	--

NOTES: Weapons figures are based on the number of individual weapons in the rifle platoons and heavy weapons in the battalion and company weapons platoons provided by the source. The personnel total for the Battalion Headquarters and Headquarters Company is based on total personnel, and contained medical and service and supply units not elaborated on by the source. The Demolitions and Engineer element also is noted to have had a number of infantry flame throwers. These were likely of Australian or American manufacture, but details of their number and utilization are unclear from the source. Some sources debate whether or not the British 2" mortar was ever in the TO&E, and may have been a product of the author of the source inspecting organizations of New Zealand troops still present in Malaya/Malaysia when researching the document. Regardless, New Zealand troops deployed to Vietnam were attached to Australian rifle units, drew from their supply stocks, and utilized the Australian TO&E and not the one described here.